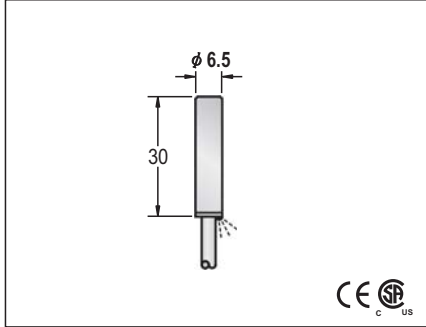


DC SHORT BODY WITH LONG SENSING DISTANCE PROXIMITY SWITCH

DC SHORT BODY LONG SENSING DISTANCE PROXIMITY SWITCH

φ 6.5
●
3mm
nickel plated brass
●

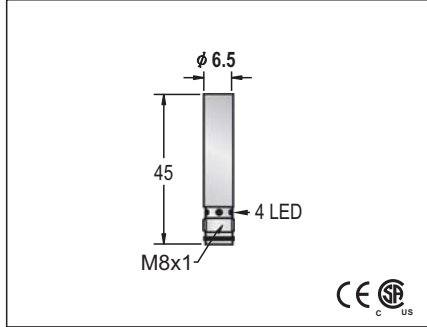


10-30VDC
<10%
<10mA
200mA
<0.01mA
-
-
<2.0V
1KHZ
0.1ms/0.1ms
<15%(Sr)
<2.0%(Sr)
IP67
-25 °C - +70 °C
<10%(Sr)
YES
220mA
<10ms
RFI>3V/m / EFT>1KV / ESD>4KV (contact)
IEC 60947-5-2,Part 7.4.1 / IEC 60947-5-2,Part 7.4.2
POM

LCM1-D0603N-A3S2	1
LCM1-D0603N-B3S2	2
LCM1-D0603P-A3S2	3
LCM1-D0603P-B3S2	4

3φ3x0.15
Approx.40 g

φ 6.5
●
3mm
nickel plated brass
●

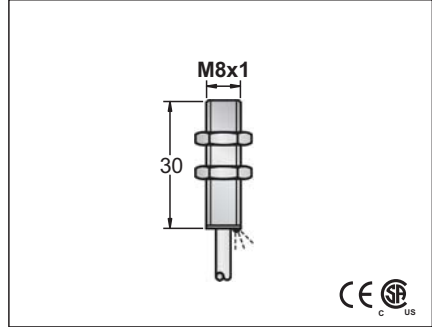


10-30VDC
<10%
<10mA
200mA
<0.01mA
-
-
<2.0V
1KHZ
0.1ms/0.1ms
<15%(Sr)
<2.0%(Sr)
IP67
-25 °C - +70 °C
<10%(Sr)
YES
220mA
<10ms
RFI>3V/m / EFT>1KV / ESD>4KV (contact)
IEC 60947-5-2,Part 7.4.1 / IEC 60947-5-2,Part 7.4.2
POM

LCM1-D0603N-ACS3	29
LCM1-D0603N-BCS3	29
LCM1-D0603P-ACS3	30
LCM1-D0603P-BCS3	30

3φ3x0.15
Approx.35 g

M 8
●
3mm
nickel plated brass
●



10-30VDC
<10%
<10mA
200mA
<0.01mA
-
-
<2.0V
1KHZ
0.1ms/0.1ms
<15%(Sr)
<2.0%(Sr)
IP67
-25 °C - +70 °C
<10%(Sr)
YES
220mA
<10ms
RFI>3V/m / EFT>1KV / ESD>4KV (contact)
IEC 60947-5-2,Part 7.4.1 / IEC 60947-5-2,Part 7.4.2
POM

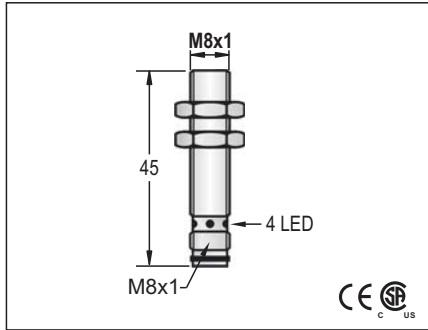
LCM1-0803N-A3S2	1
LCM1-0803N-B3S2	2
LCM1-0803P-A3S2	3
LCM1-0803P-B3S2	4

3φ3x0.15
Approx.47 g

DC SHORT BODY WITH LONG SENSING DISTANCE PROXIMITY SWITCH

DC SHORT BODY LONG SENSING DISTANCE PROXIMITY SWITCH

M 8
●
3mm
nickel plated brass
●

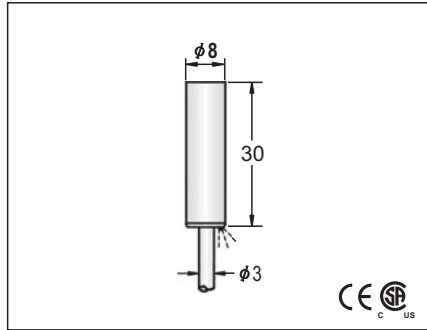


10-30VDC
<10%
<10mA
200mA
<0.01mA
-
<2.0V
1KHZ
0.1ms/0.1ms
<15%(Sr)
<2.0%(Sr)
IP67
-25°C - +70°C
<10%(Sr)
YES
220mA
<10ms
RFI>3V/m / EFT>1KV / ESD>4KV (contact)
IEC 60947-5-2,Part 7.4.1 / IEC 60947-5-2,Part 7.4.2
POM

LCM1-0803N-ACS3	25
LCM1-0803N-BCS3	25
LCM1-0803P-ACS3	26
LCM1-0803P-BCS3	26

Approx.42 g

φ8
●
3mm
nickel plated brass
●

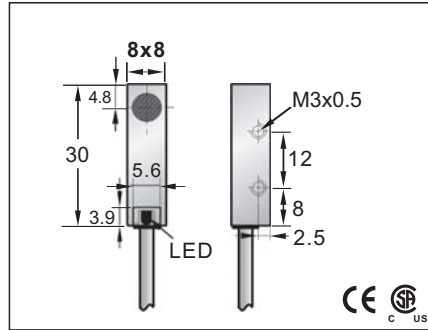


10-30VDC
<10%
<10mA
200mA
<0.01mA
-
<2.0V
1KHZ
0.1ms/0.1ms
<15%(Sr)
<2.0%(Sr)
IP67
-25°C - +70°C
<10%(Sr)
YES
220mA
<10ms
RFI>3V/m / EFT>1KV / ESD>4KV (contact)
IEC 60947-5-2,Part 7.4.1 / IEC 60947-5-2,Part 7.4.2
POM

LCM1-D0803N-A3S2	1
LCM1-D0803N-B3S2	2
LCM1-D0803P-A3S2	3
LCM1-D0803P-B3S2	4

3 φ3x0.15
Approx.45 g

Q8
●
3 mm
die-cast
●



10-30VDC
<10%
<10mA
200mA
<0.01mA
-
<2.0V
1KHZ
0.1ms/0.1ms
<15%(Sr)
<2.0%(Sr)
IP67
-25°C - +70°C
<10%(Sr)
YES
220mA
<10ms
RFI>3V/m / EFT>1KV / ESD>4KV (contact)
IEC 60947-5-2,Part 7.4.1 / IEC 60947-5-2,Part 7.4.2
POM

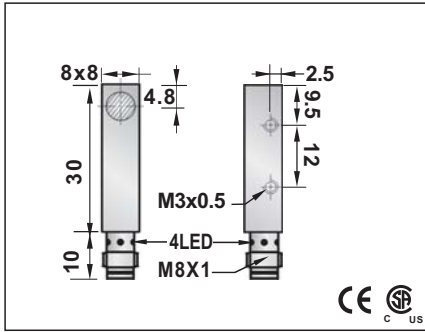
LQM1-8803N-A3S2T	1
LQM1-8803N-B3S2T	2
LQM1-8803P-A3S2T	3
LQM1-8803P-B3S2T	4

3 φ3X0.15
Approx.35 g

Q8、M12

DC SHORT BODY WITH LONG SENSING DISTANCE PROXIMITY SWITCH

Q8
●
3 mm
die-cast
●

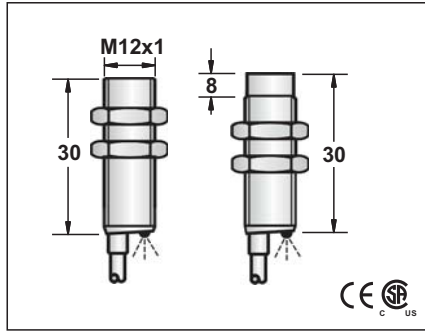


10-30VDC
<10%
<10mA
200mA
<0.01mA
-
-
<2.0V
1KHZ
0.1ms/0.1ms
<15%(Sr)
<2.0%(Sr)
IP67
-25 °C - +70 °C
<10%(Sr)
YES
220mA
<10ms
RFI>3V/m / EFT>1KV / ESD>4KV (contact)
IEC 60947-5-2, Part 7.4.1 / IEC 60947-5-2, Part 7.4.2
POM

LQM1-8803N-ACS3T	29
LQM1-8803N-BCS3T	29
LQM1-8803P-ACS3T	30
LQM1-8803P-BCS3T	30

4φ 3x0.15
Approx.25 g

M12
● ○
6 mm 10 mm
nickel plated brass
●

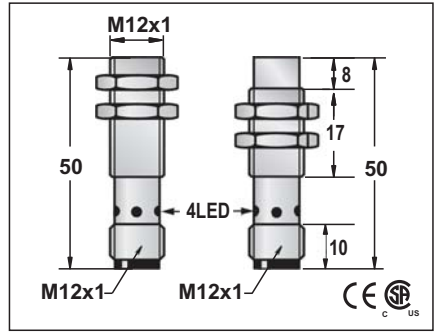


10-30VDC
<10%
<10mA
200mA
<0.01mA
-
-
<2.0V
1KHZ
0.1ms/0.1ms
<15%(Sr)
<2.0%(Sr)
IP67
-25 °C - +70 °C
<10%(Sr)
YES
220mA
<10ms
RFI>3V/m / EFT>1KV / ESD>4KV (contact)
IEC 60947-5-2, Part 7.4.1 / IEC 60947-5-2, Part 7.4.2
POM

LCM1-1206N-A3S2	1	LCM2-1210N-A3S2
LCM1-1206N-B3S2	2	LCM2-1210N-B3S2
LCM1-1206P-A3S2	3	LCM2-1210P-A3S2
LCM1-1206P-B3S2	4	LCM2-1210P-B3S2

4φ 3x0.15
Approx.25 g Approx.23 g

M12
● ○
6 mm 10 mm
nickel plated brass
●



10-30VDC
<10%
<10mA
200mA
<0.01mA
-
-
<2.0V
1KHZ
0.1ms/0.1ms
<15%(Sr)
<2.0%(Sr)
IP67
-25 °C - +70 °C
<10%(Sr)
YES
220mA
<10ms
RFI>3V/m / EFT>1KV / ESD>4KV (contact)
IEC 60947-5-2, Part 7.4.1 / IEC 60947-5-2, Part 7.4.2
POM

LCM1-1206N-ARS4	33	LCM2-1210N-ARS4
LCM1-1206N-BRS4	34	LCM2-1210N-BRS4
LCM1-1206P-ARS4	35	LCM2-1210P-ARS4
LCM1-1206P-BRS4	36	LCM2-1210P-BRS4

4φ 3x0.15
Approx.25 g Approx.23 g

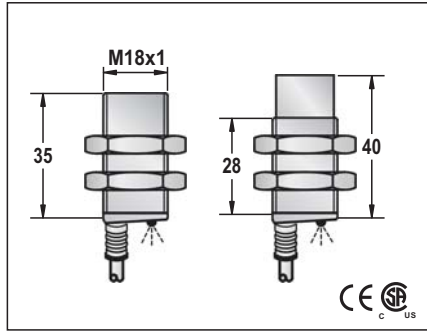
DC SHORT BODY LONG SENSING DISTANCE PROXIMITY SWITCH

M18、M30

DC SHORT BODY WITH LONG SENSING DISTANCE PROXIMITY SWITCH

DC SHORT BODY LONG SENSING DISTANCE PROXIMITY SWITCH

M18	
●	○
12 mm	20 mm
nickel plated brass	
●	

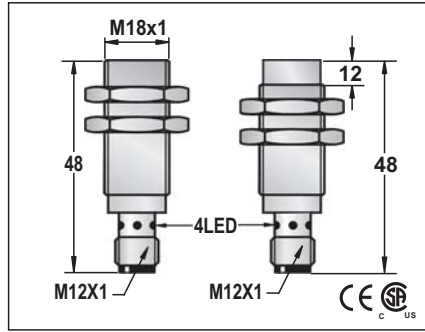


10-30VDC or 10-60VDC	
<10%	
<10mA	
200mA	
<0.01mA	
-	
<2.0V	
1KHZ	
0.1ms/0.1ms	
<15%(Sr)	
<2.0%(Sr)	
IP67	
-25 °C - +70 °C	
<10%(Sr)	
YES	
220mA	
<10ms	
RFI>3V/m / EFT>1KV / ESD>4KV (contact)	
IEC 60947-5-2,Part 7.4.1 / IEC 60947-5-2,Part 7.4.2	
POM	

POM		
LCM1-1812N-A3S2	1	LCM2-1820N-A3S2
LCM1-1812N-B3S2	2	LCM2-1820N-B3S2
LCM1-1812P-A3S2	3	LCM2-1820P-A3S2
LCM1-1812P-B3S2	4	LCM2-1820P-B3S2
LCM1-1812P-S4S2	6	LCM2-1820P-S4S2
LCM1-1812N-S4S2	5	LCM2-1820N-S4S2
LCM1-1812C-A2S2	7	LCM2-1820C-A2S2
LCM1-1812C-B2S2	8	LCM2-1820C-B2S2

5.0 φ 44x0.1	
Approx.132 g	Approx.134 g

M18	
●	○
12 mm	20 mm
nickel plated brass	
●	



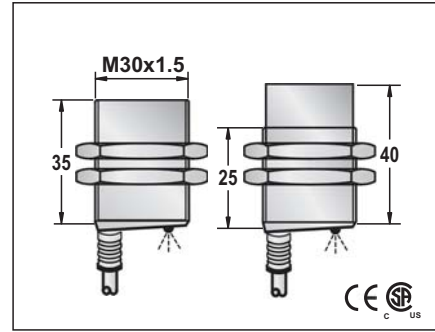
10-30VDC or 10-60VDC	
<10%	
<10mA	
200mA	
<0.01mA	
-	
<2.0V	
1KHZ	
0.1ms/0.1ms	
<15%(Sr)	
<2.0%(Sr)	
IP67	
-25 °C - +70 °C	
<10%(Sr)	
YES	
220mA	
<10ms	
RFI>3V/m / EFT>1KV / ESD>4KV (contact)	
IEC 60947-5-2,Part 7.4.1 / IEC 60947-5-2,Part 7.4.2	
POM	

POM		
LCM1-1812N-ARS4	33	LCM2-1820N-ARS4
LCM1-1812N-BRS4	34	LCM2-1820N-BRS4
LCM1-1812P-ARS4	35	LCM2-1820P-ARS4
LCM1-1812P-BRS4	36	LCM2-1820P-BRS4
LCM1-1812P-SRS4	38	LCM2-1820P-SRS4
LCM1-1812N-SRS4	37	LCM2-1820N-SRS4
LCM1-1812C-ARS4	40	LCM2-1820C-ARS4
LCM1-1812C-BRS4	78	LCM2-1820C-BRS4

5.0 φ 44x0.1	
Approx.25 g	Approx.23 g

Please see Page 18 for details and specifications of DC 2-Wire models on this page.

M30	
●	○
22 mm	40 mm
nickel plated brass	
●	



10-30VDC or 10-60VDC	
<10%	
<10mA	
200mA	
<0.01mA	
-	
<2.0V	
1KHZ	
0.1ms/0.1ms	
<15%(Sr)	
<2.0%(Sr)	
IP67	
-25 °C - +70 °C	
<10%(Sr)	
YES	
220mA	
<10ms	
RFI>3V/m / EFT>1KV / ESD>4KV (contact)	
IEC 60947-5-2,Part 7.4.1 / IEC 60947-5-2,Part 7.4.2	
POM	

POM		
LCM1-3022N-A3S2	1	LCM2-3040N-A3S2
LCM1-3022N-B3S2	2	LCM2-3040N-B3S2
LCM1-3022P-A3S2	3	LCM2-3040P-A3S2
LCM1-3022P-B3S2	4	LCM2-3040P-B3S2
LCM1-3022P-S4S2	6	LCM2-3040P-S4S2
LCM1-3022N-S4S2	5	LCM2-3040N-S4S2
LCM1-3022C-A2S2	7	LCM2-3040C-A2S2
LCM1-3022C-B2S2	8	LCM2-3040C-B2S2

5.8 φ 3x0.5	
Approx.180 g	Approx.182 g

